

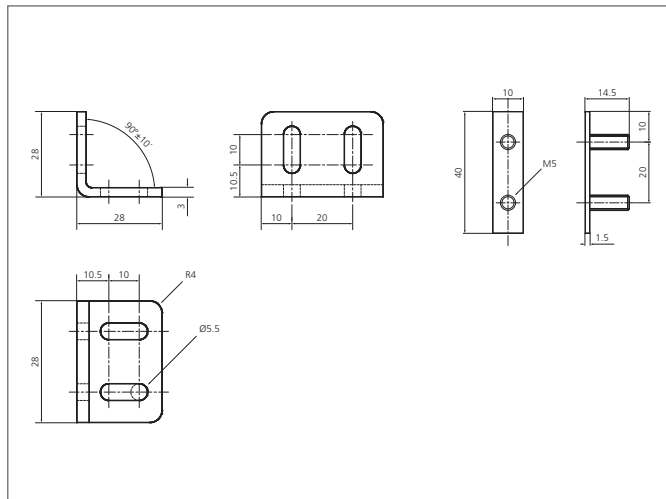
SA 4 Standard fixing brackets

- Robust design
- Set includes the for emitter and receiver necessary brackets



Safety instructions

All the installation, connection and safety regulations, as per our technical information, have to be strictly adhered to.
The set-up of the products have to be made by skilled staff, only.
Repair exclusively made by di-soric.



TECHNICAL INFORMATION (typ.)		+20°C, 24V DC
Operating principle		Standard fixing bracket
For		all light curtains / -grids with a protected height up to 1.060 mm
Material		Zinc plated metal (Fixing brackets)
Scope of delivery		4 standard fixing brackets, Fixing material